



2006-1990 Jeep Front Lower Ball Joint: Correct Installation Orientation

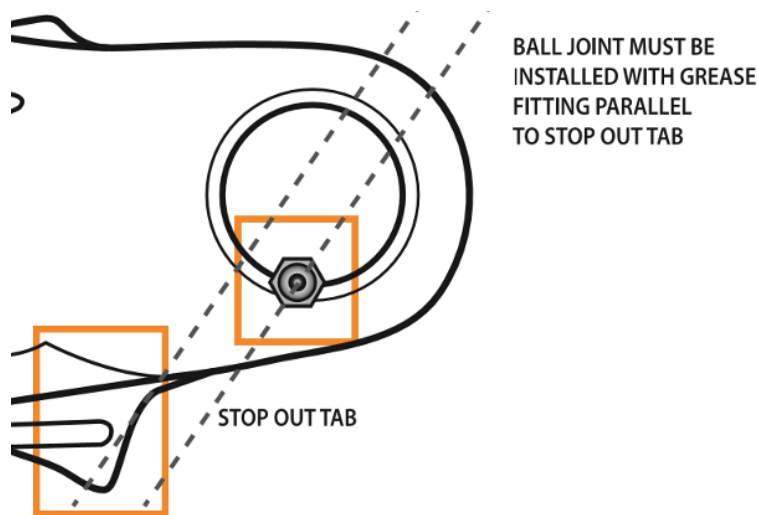
Brand	TTX	Product	Ball Joint	Date	August 2021
Part Number(s)	TXK3161T				

For the applications below, the ball joint housing must be oriented correctly during press in to ensure adequate access to the grease fitting for relubrication service.

Application(s)

- 2001-1990 Jeep Cherokee
- 1992-1990 Jeep Comanche
- 1998-1993 Jeep Grand Cherokee
- 1993 Jeep Grand Wagoneer
- 2006-1997 Jeep TJ
- 1990 Jeep Wagoneer
- 1995-1990 Jeep Wrangler
- 2006-1997 Jeep Wrangler

The ball joint must be installed with the grease fitting positioned parallel to the lower knuckle stop out tab. This will ensure sufficient clearance for any relubrication service. **See Figure 1.**



Always refer to the original factory service manual for proper diagnostic, removal and replacement procedures, as well as for all related torque specifications and values. Only use a calibrated torque wrench for final fastening.

