



## 2013-1999 GM 1500 & 2500 Truck, SUV and Van Pitman Arm Identification

Brand	Supreme/Original Grade	Product	Pitman Arm	Date
				September 2021
<b>Part Number(s)</b>	MK6536/MK6654/GK6536/GK6654			

Due to factory production variances, the applications associated with the part numbers below may be equipped with one of two different pitman arm types, distinguished by spline and groove count.

### Part Numbers

**Supreme:** MK6536/MK6654

**Original Grade:** GK6536/GK6654

When ordering a replacement pitman arm, it is recommended that the Professional Technician visually verify which type is required.

**To ensure a frustration-free repair outcome, follow the inspection procedures below. These presume the vehicle is still equipped with the original factory-installed components.**

### 3 Groove Type

- Remove pitman arm
- Verify groove count. **See Figure 1.**
- Use Mevotech replacement part numbers found in the chart with “3 Groove-33 Spline”

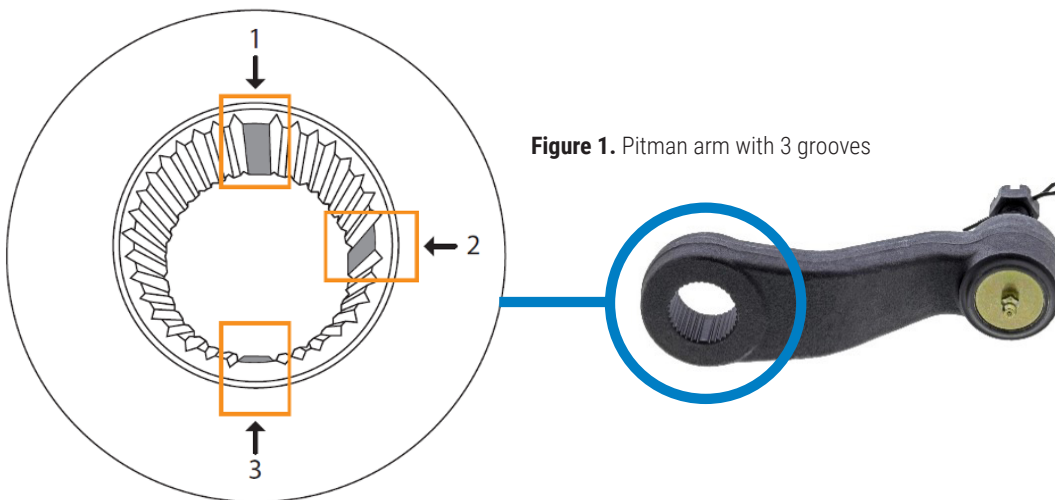


Figure 1. Pitman arm with 3 grooves

### Mevotech Replacement Part Number

**Supreme:** MK6654 3 Groove-33 Spline

**Original Grade:** GK6654 3 Groove-33 Spline



## 4 Groove Type

- Remove pitman arm
- Verify groove count. **See Figure 2.**
- Use Mevotech replacement part numbers found in the chart with "4 Groove-32 Spline"

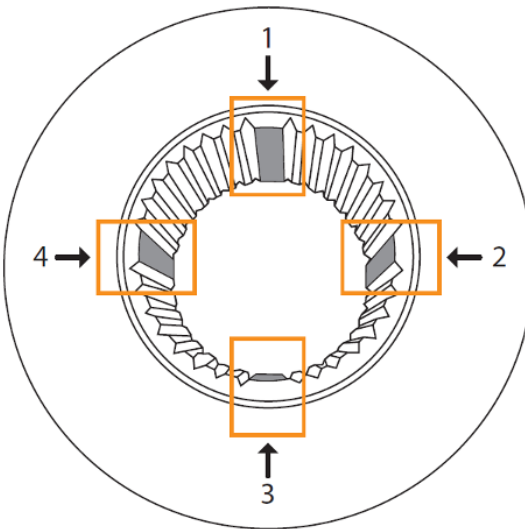


Figure 2. Pitman arm with 4 grooves



### Mevotech Replacement Part Number

<b>Supreme:</b>	MK6536	4 Groove-32 Spline
<b>Original Grade:</b>	GK6536	4 Groove-32 Spline

Always refer to the factory service manual for correct diagnostic procedures, component removal and installation methods, as well as fastening torque values and procedures where applicable. Only use a calibrated torque wrench for final fastening.

