

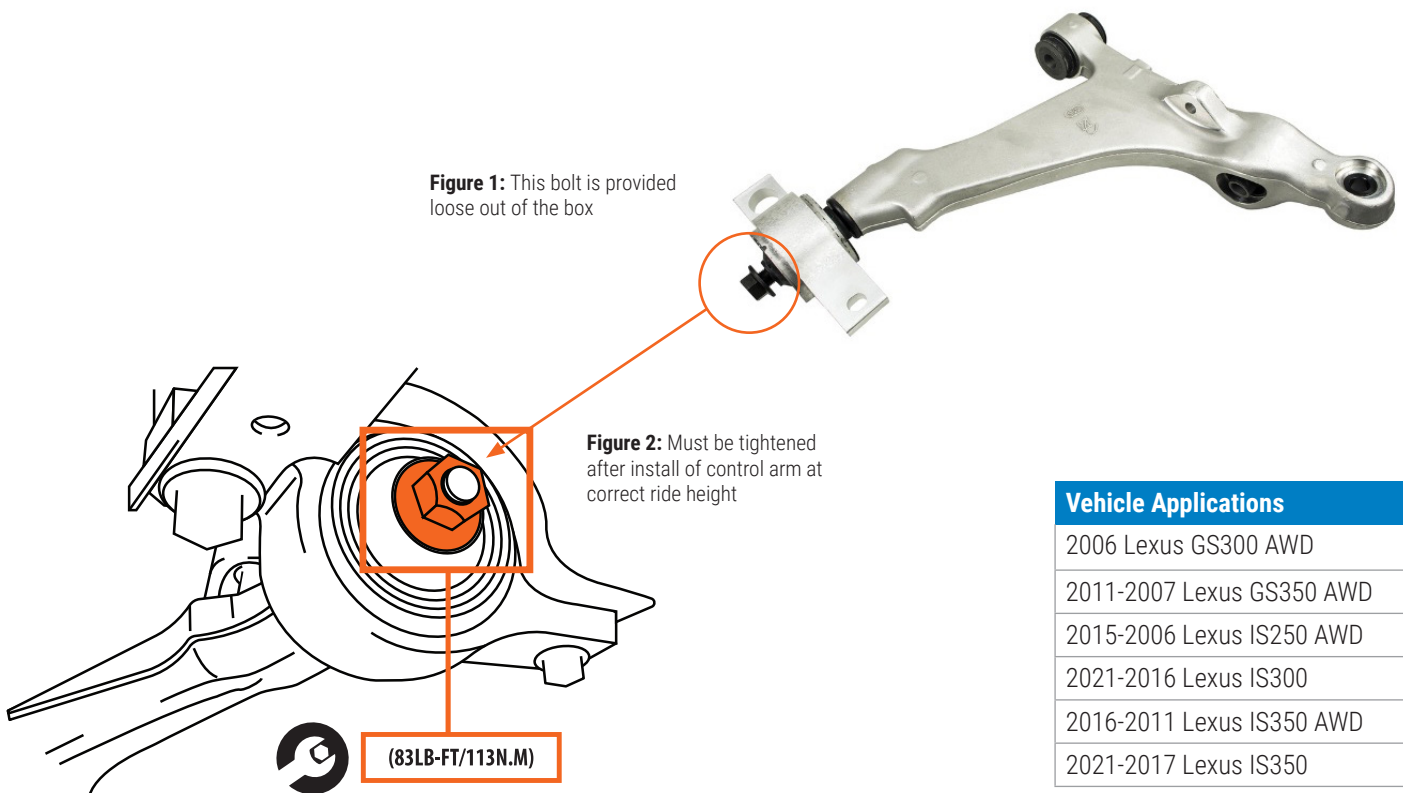


2021-2006 Lexus IS and GS AWD Front Lower Control Arm Compliance Bushing Bracket Bolt

Brand	Supreme	Product	Control Arms	Date	May 2021
Part Number(s)	CMS861132/CMS861133				

When ordering replacement Mevotech Supreme front lower control arms with the part number of CMS861132 or CMS861133 for the vehicle applications listed below, it is important to note that the compliance bushing bracket bolt is not pre-torqued.

This bolt is provided loose, so the bushing bracket can more easily be manipulated during installation of the control arm (**see Figure 1**). This bolt will require final torquing with the suspension loaded to the correct ride height. Torque specification must be followed to prevent premature failure (**see Figure 2**).



Vehicle Applications
2006 Lexus GS300 AWD
2011-2007 Lexus GS350 AWD
2015-2006 Lexus IS250 AWD
2021-2016 Lexus IS300
2016-2011 Lexus IS350 AWD
2021-2017 Lexus IS350

