



ABS Plug End Retention Clip - 2016-1997 GM Sedan and Passenger Van

Brand	TTX	Product	Wheel Hub Assembly	Date	November 2021
Part Number(s)	TXF513121/TXF513179				

Depending on vehicle production date and original part design, the applications associated with the below-noted part numbers may utilize either a plastic or metal clip to secure the ABS plug end to the vehicle body.

Typically, when removing the old wheel hub assembly and disconnecting the ABS plug from the body side harness, these clips will break or otherwise become non-reusable. Additionally, as they employ different methods of securing the ABS plug end to the vehicle body, these clips are not interchangeable (a plastic clip cannot interface with a mounting point for a metal clip on the vehicle body and vice versa).

Part Numbers

TXF513121
TXF513179

To increase part compatibility, Mevotech TTX wheel hub assembly TXF513121 features a metal clip pre-fitted onto the ABS plug end and a supplementary new plastic clip as part of the hardware package.

Similarly, Mevotech TTX wheel hub assembly TXF513179 features a plastic clip pre-fitted onto the ABS plug end and a supplementary new metal clip as part of the hardware package.

To simplify installation for the Professional Technician, the ABS plug ends for both part numbers have been designed to accommodate a retrofit if necessary. One clip type may be simply swapped for another. **See Figure 1.**

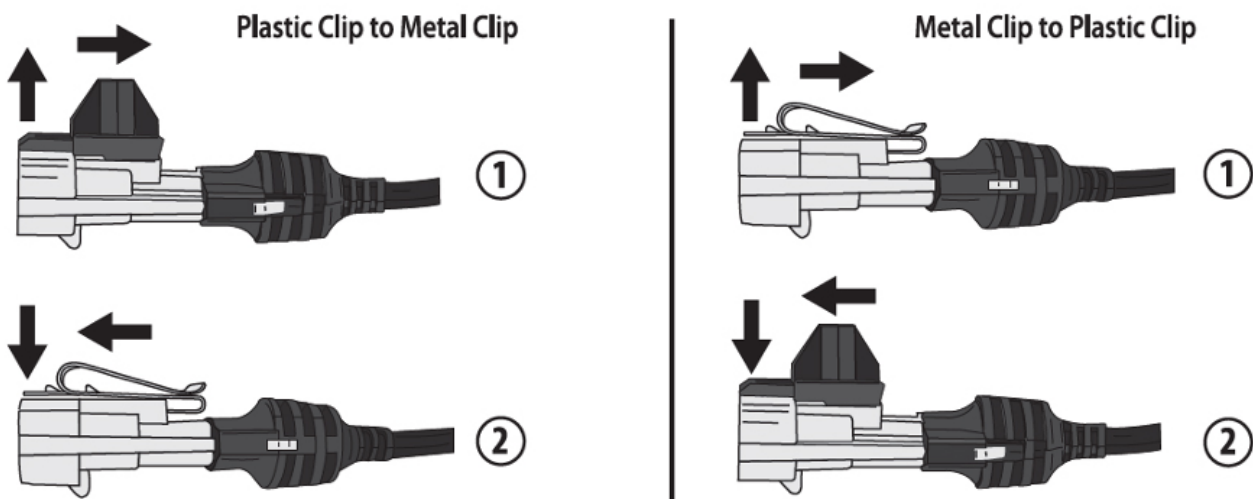


Figure 1.

