



Best Practices: TTX Ball Joint Press-In Installation Adaptor

Brand	TTX	Product	Ball Joint	Date	August 2022
Part Number(s)	TXK9643/TXK90332/TXK80028/TXMS40506/TXMS25532/TXK8611T/TXK8608T/ TXK80026/TXK8607T/TXK7395/TXK3185/TXK3161T/TXK500007/TXMS76505/TXK80228/ TXMS25516/TXK9802/TXMS25557/TXK80027/TXK8195T/TXMS40505/TXK80629/ TXMS50580/TXMS30516/TXMS50569				

Many Mevotech TTX press-in style ball joints feature an Installation Adaptor as part of the hardware package. Compatible with almost all ball joint press kits, this tool is included to reduce install time for the Professional Technician by providing the correctly sized adaptor in the box and eliminating the need to search for or purchase one. **See Figure 1.**



Figure 1. Mevotech TTX ball joint TXK8607T with Installation Adaptor

For a successful repair outcome, adhere to the following:

- Before installing ball joint, ensure all mating surfaces are clear of rust, debris and burrs.
- If pressing into control arm, inspect mounting flange for cracks, deformation and/or an out of round condition. Do not reuse control arm body if these are found.
- If pressing into axle, inspect for cracks, deformation and/or an out of round condition. Do not proceed if these are found.



- Verify press-in diameters and stud tolerances, including on steering knuckle side. Replace all damaged or out-of-specification mating components.
- Inspect ball joint press, receiving cups and adaptors for fitness of purpose. Do not use worn or damaged components.
- Only use appropriately sized receiving cups and adaptors. Do not use over or undersized accessories.
- When pressing in ball joint, ensure pressure is applied to the mounting flange and not to the ball joint back plate or roll-formed lamination. Contact with the back plate or lamination during install may lead to damage and/or impaired performance of the ball joint.
- Frequently check and verify orientation of ball joint and axis of installation during press in.
- Mevotech TTX Installation Adaptors are designed to facilitate install and only for use with their accompanying TTX ball joint. Do not use to press out old ball joint. See Figure 2.
- Do not attempt to press in or otherwise mount a Mevotech TTX Installation Adaptor to a mating component, such as a control arm body, axle or steering knuckle.
- Ensure Installation Adaptor is removed from new ball joint after press in.

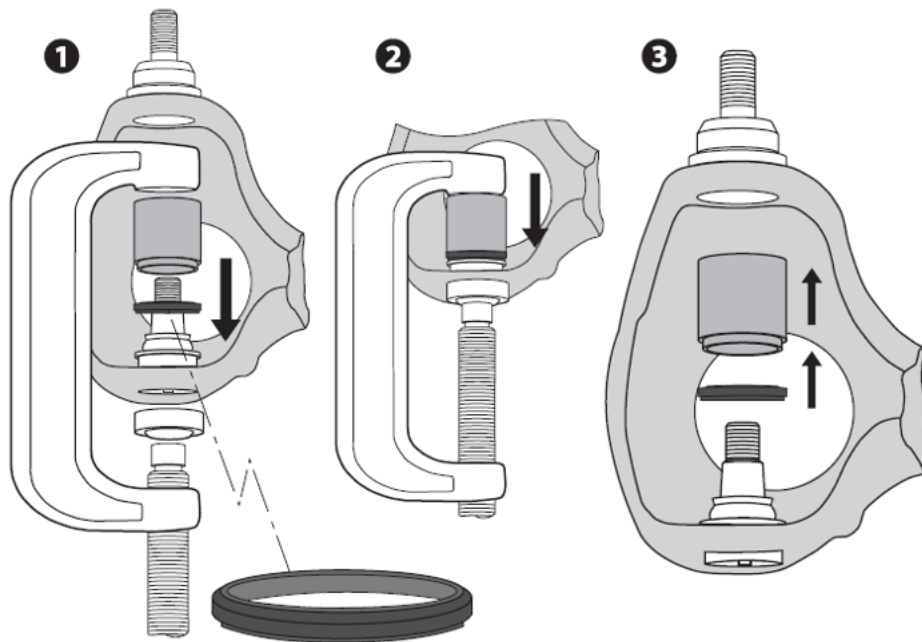


Figure 2. Use Installation Adaptor to press-in new TTX ball joint

Always refer to the factory service manual for correct diagnostic procedures, component removal and installation methods, and fastening torque values and instructions where applicable. Only use a calibrated torque wrench for final fastening.