



Correct Installation Orientation: 2015-2011 Dodge Durango and 2015-2011 Jeep Grand Cherokee Front Upper Ball Joint

Brand	TTX	Product	Ball Joint	Date	July 2022
Part Number(s)	TXMS25551				

To ensure proper part performance, the below noted ball joint must be pressed-in using the correct orientation when mating to the front upper control arm.

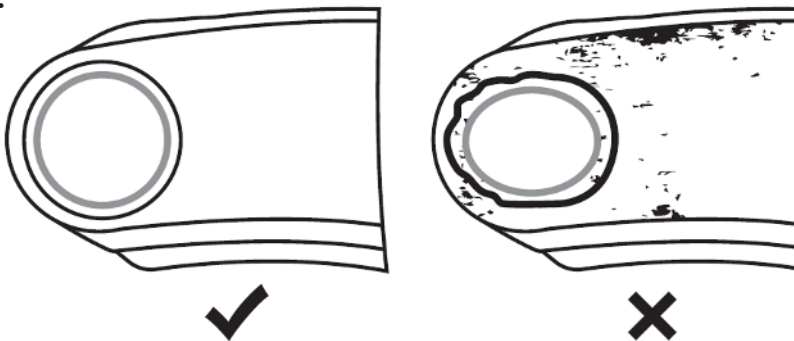
Part Number:

TXMS25551

For a successful repair outcome, adhere to the following:

- Before installation of ball joint, ensure all mating surfaces are clear of rust, debris and burrs. Inspect control arm mounting flange for cracks, deformation and or and out of round condition. Do not reuse control arm body if these are found. **See Figure 1.**

Figure 1.



- When pressing-in ball joint, ensure pressure is applied to the mounting flange and not the ball joint back plate. Contact with the back plate during install may lead to damage and or impaired performance of the ball joint.

- Locate machined flat on ball joint housing. **See Figure 2.**

Figure 2. Machined flat on ball joint housing (circled)

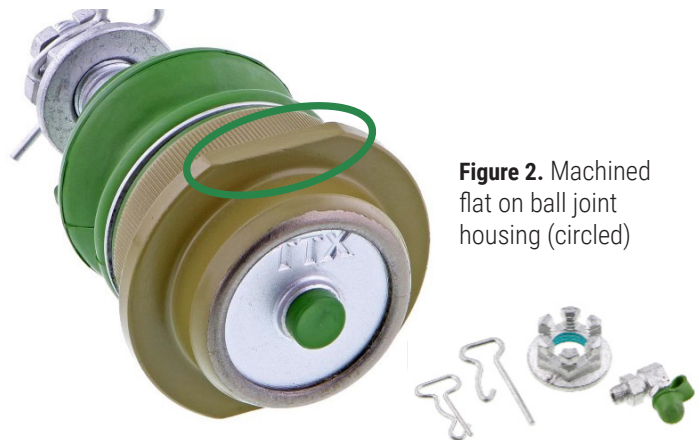


Figure 2. Machined flat on ball joint housing (circled)



Correct Installation Orientation: 2015-2011 Dodge Durango and 2015-2011 Jeep Grand Cherokee Front Upper Ball Joint

- During press-in, flats must be oriented so that they are perpendicular to the wheel. For an illustration of correct installation orientation, see **Figure 3**.

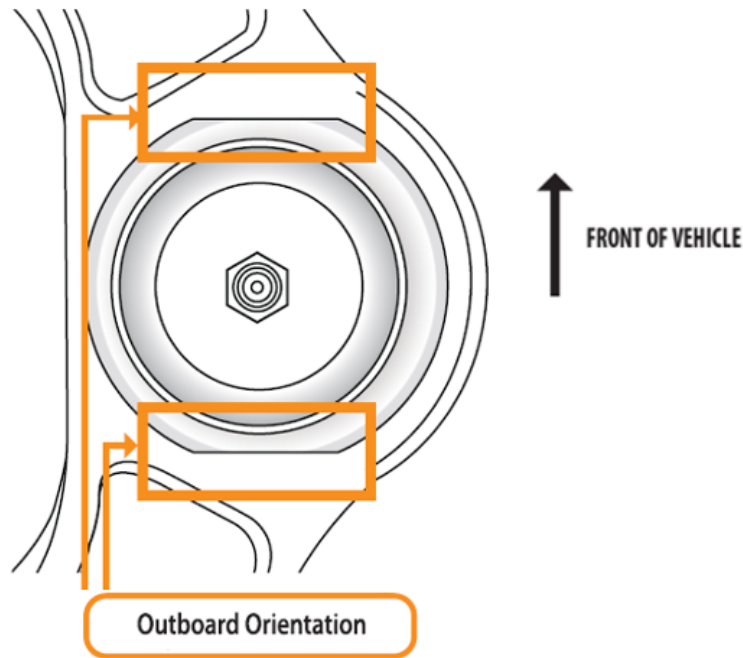


Figure 3. Correct ball joint installation orientation when mated to front upper control arm. Note machined flat position (highlighted orange box)

Always ensure to refer to the factory service manual for correct diagnostic procedures, component removal and installation methods and fastening torque values and procedures where applicable. Only use a calibrated torque wrench for final fastening.

