



Steering Box Identification: 2008-2003 Dodge RAM 1500/2500/3500 4WD

Brand	Supreme	Product	Pitman Arm & Tie Rod End	Date	October 2022
Part Number(s)	MS25914/MES3624/MK440021/MS25709				

A popular retrofit for the below noted applications is an upgraded steering box to address the sluggish steering response and wander of the original design. The upgraded or revised design steering box is typically referred to as "6 Bolt", compared to the originally equipped "4 Bolt".

Application(s):

- 2008-2003 Dodge RAM 2500 4WD
- 2008-2003 Dodge RAM 3500 4WD
- 2008-2005 Dodge RAM 1500 4WD

It is important to note that the factory 6 Bolt steering box retrofit kit is intended to be compatible with both the 1st Design/Tapered Hole/Y-Style steering linkage and the later 2nd Design/With Bracket/T-Style steering linkage. This is accomplished by utilizing the 2nd Design/With Bracket/T-Style pitman arm and tie rod end (at pitman arm).

For the Professional Technician, it is important to identify if the factory 6 Bolt retrofit kit is presently equipped on the above noted applications when replacing the pitman arm or tie rod end (at pitman arm) for a frustration-free outcome.

To verify if the vehicle is equipped with the 4 Bolt steering box, follow the inspection procedure below:

Locate steering box. If the steering box cover utilizes 4 bolts, this is considered the originally equipped 4 Bolt steering box. **See Figure 1.**

If vehicle is equipped with the 4 Bolt steering box and falls within the range of the above noted applications, use the following Mevotech Supreme replacement components:

- Pitman Arm – MS25914
- Tie Rod End (at Pitman Arm) – MES3624

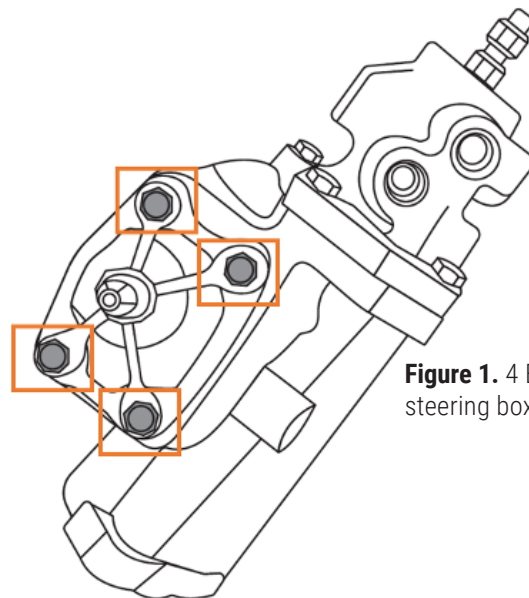


Figure 1. 4 Bolt steering box



To verify if the vehicle is equipped with the 6 Bolt steering box, follow the inspection procedure below:

Locate steering box. If the steering box cover utilizes 6 bolts, this is the revised 6 Bolt steering box. **See Figure 2.**

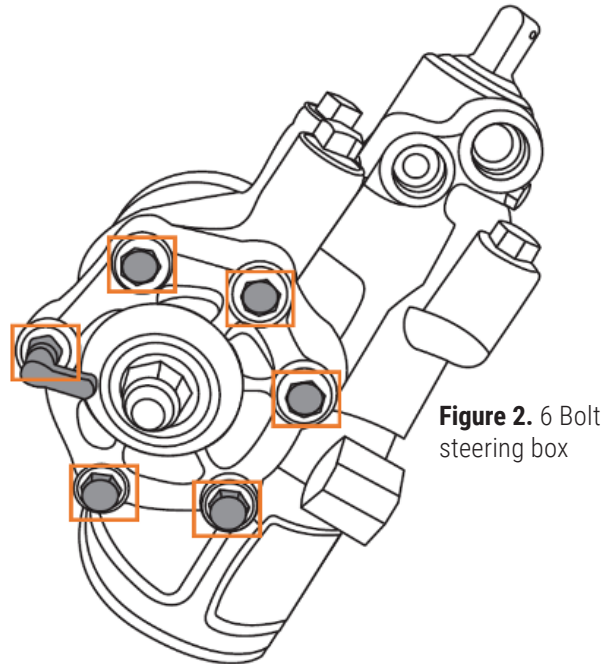


Figure 2. 6 Bolt steering box

If vehicle is equipped with the factory 6 Bolt steering box retrofit kit and falls within the range of the above noted applications, use the following Mevotech Supreme replacement components:

Pitman Arm – MK440021

Tie Rod End (at Pitman Arm) – MS25709

Always ensure to refer to the factory service manual for correct diagnostic procedures, component removal and installation methods and fastening torque values and procedures where applicable. Only use a calibrated torque wrench for final fastening.