



Issue: 2018-1984 Jeep and RAM DANA 30/44 Front Upper Ball Joint Installation

Brand	TTX	Product	Ball Joint	Date	October 2021
Part Number(s)	TXK3134T				

To successfully install this ball joint, adhere to the following:

- Discard all old ball joint hardware – do not reuse.
- Ensure the ball joint is even and square on the proper install axis. Correct seating and alignment are critical to part longevity. This may require more than one reset of the tool position during install.
- Do not use a heat source to aid in removal. This can warp/distort or otherwise damage the knuckle bore.
- Do not use a hammer or apply blunt force to aid in removal or installation. This can warp/distort or otherwise damage the knuckle bore and/or ball joint.
- Only use a calibrated torque wrench for final fastening procedures.

After removing old ball joint and before pressing in new ball joint:

- Check press-in diameters and tapered hole/stud tolerances.
- Replace all damaged or out-of-specification mating components.
- Remove all rust, burrs and corrosion from mating components.
- If a broken, bent or loose ball joint stud is discovered, the knuckle must be replaced. If there is deformation, an out-of-round condition or damage to the tapered mating surfaces of the steering knuckle, it must be replaced.

See Figure 1.

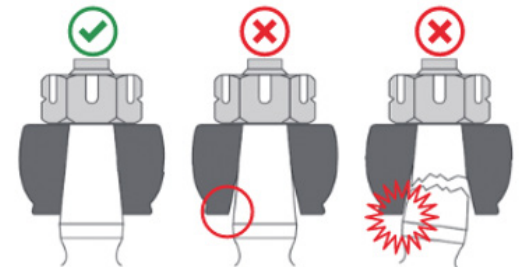


Figure 1.

! INSTALLATION

- Mevotech TTX Front Upper Ball Joint TXK3134T enables both a sliding and swing movement between the stud and housing to compensate for variation in the axle assembly. This is normal operation. See Figure 2.
- When pressing in ball joint, ensure pressure is applied to the mounting flange and not the ball joint back plate or lamination. Contact with either during installation may cause damage and limit part performance and service life.
- Depending on application, follow the torque sequence as outlined in Figure 3. It is recommended to perform this sequence with the steering knuckle in the straight-ahead position. This ensures steering knuckle is properly aligned to the axle assembly. The final position of the ball joint will be set by following the torque sequence.

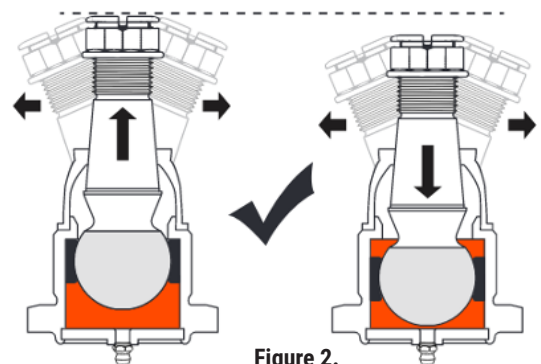


Figure 2.



 Re-Assembly Torque Sequence

Make Marque Marca	Model Modèle Modelo	Year Année Año	Installation Torque Sequence and Value Séquence de serrage pour l'installation et valeurs Secuencia y valor de apriete de instalación
Dodge/RAM	1500	1994-1999	A
	1500 (Dana44/FBI216)	2000-2001	A
	2500	1994-1999	A
Jeep	Cherokee	1984-1989	D
		1990-1996	B
		1997-2000	A
	Comanche	1986-1989	D
		1990-1992	B
	Grand Cherokee	1993-1995	B
		1996-2004	A
	Grand Wagoneer	1993	B
	TJ	1997-2006	A
	Wagoneer	1984-1990	D
	Wrangler	1987-1989	D
		1990-2006	A
		2007-2017	C
Wrangler JK	2018	C	

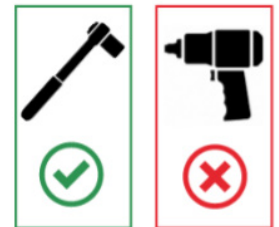


Figure 3.

- A:**
1. Tighten lower ball stud nut to 80 LB-FT (110N-M)
 2. Tighten upper ball stud nut to 75 LB-FT (100N-M)
- B:**
1. Tighten lower ball stud nut to 75 LB-FT (100N-M)
 2. Tighten upper ball stud nut to 75 LB-FT (100N-M)
- C:**
1. Tighten upper ball stud nut to 70 LB-FT (95N-M)
 2. Tighten lower ball stud nut to 70 LB-FT (95N-M)
- D:**
1. Set split ring seat to a depth of 0.206" (5.23mm). Verify correct installation depth from edge of ring seat to lower outer machined surface of knuckle ball joint bore.
 2. Tighten lower ball stud nut to 75 LB-FT (100N-M)
 3. Tighten upper ball stud nut to 75 LB-FT (100N-M)

Continue to tighten the nut to the next available slot. Never back off the nut to align hole in the stud for cotter pin insertion.

Always refer to the factory service manual for correct diagnostic procedures, component removal and installation methods, as well as fastening torque values and procedures where applicable.

